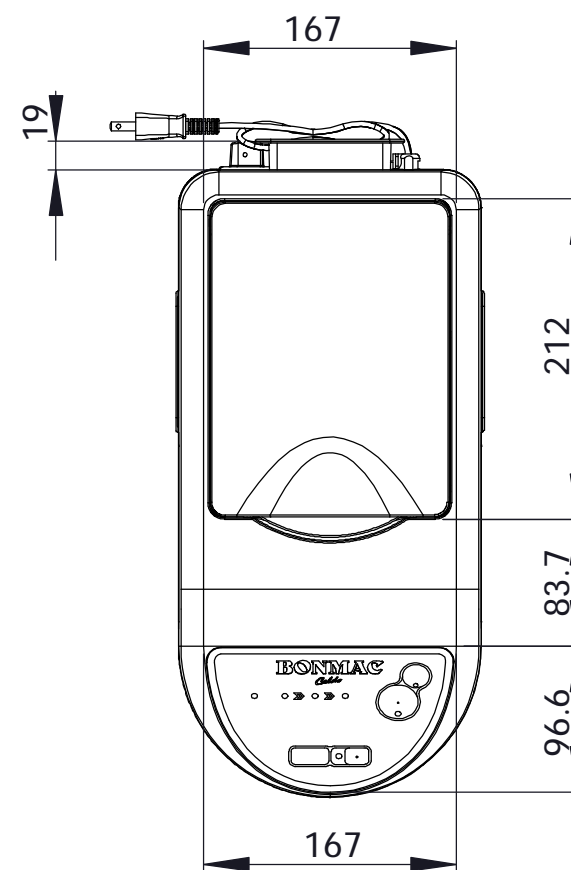
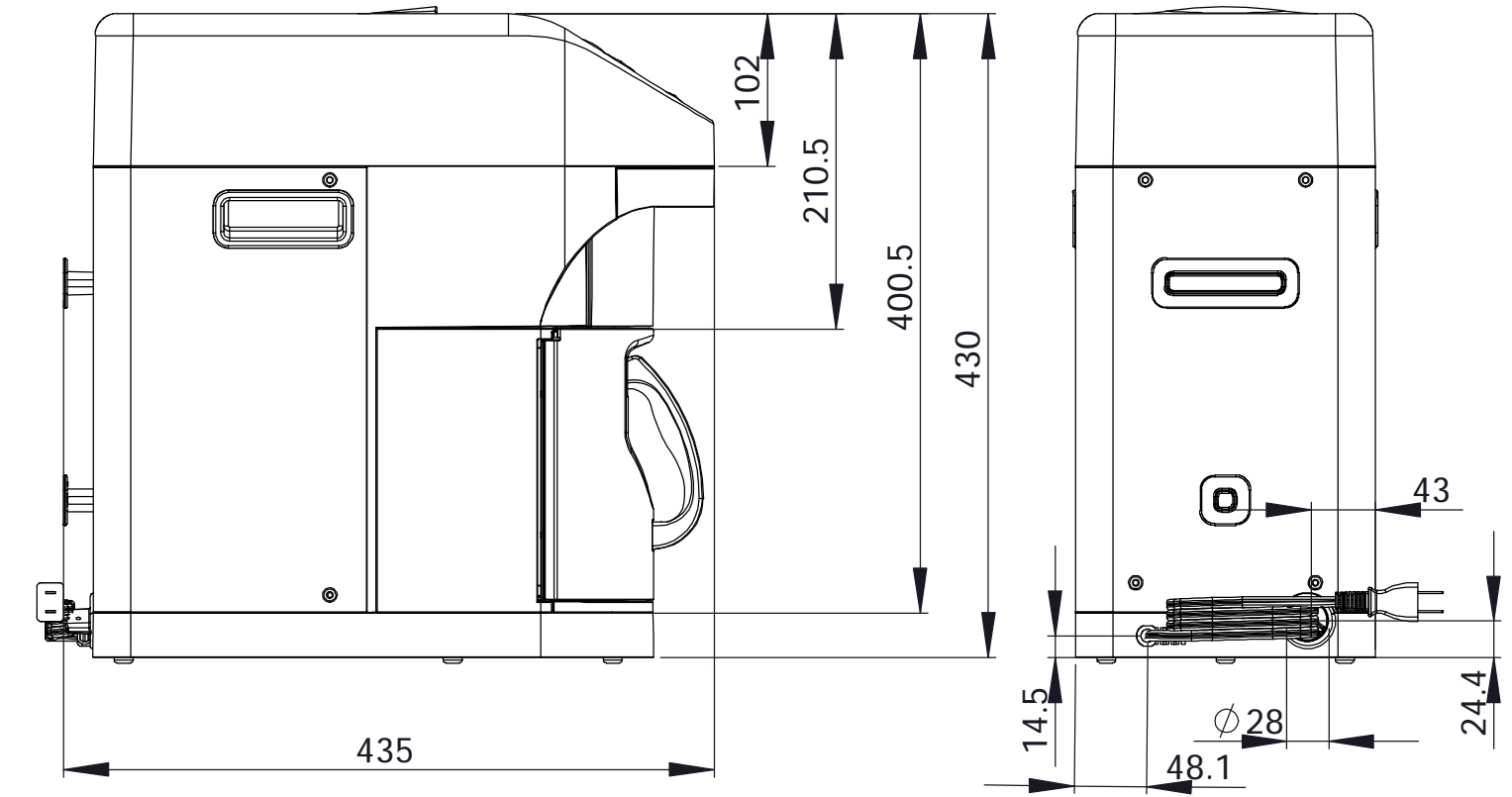
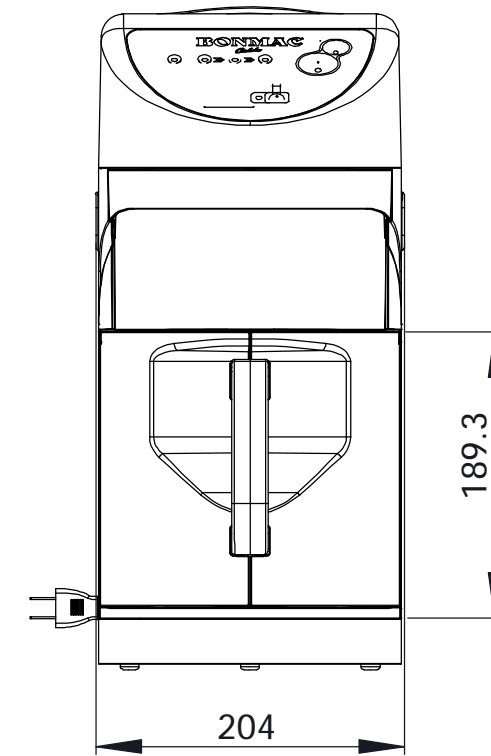
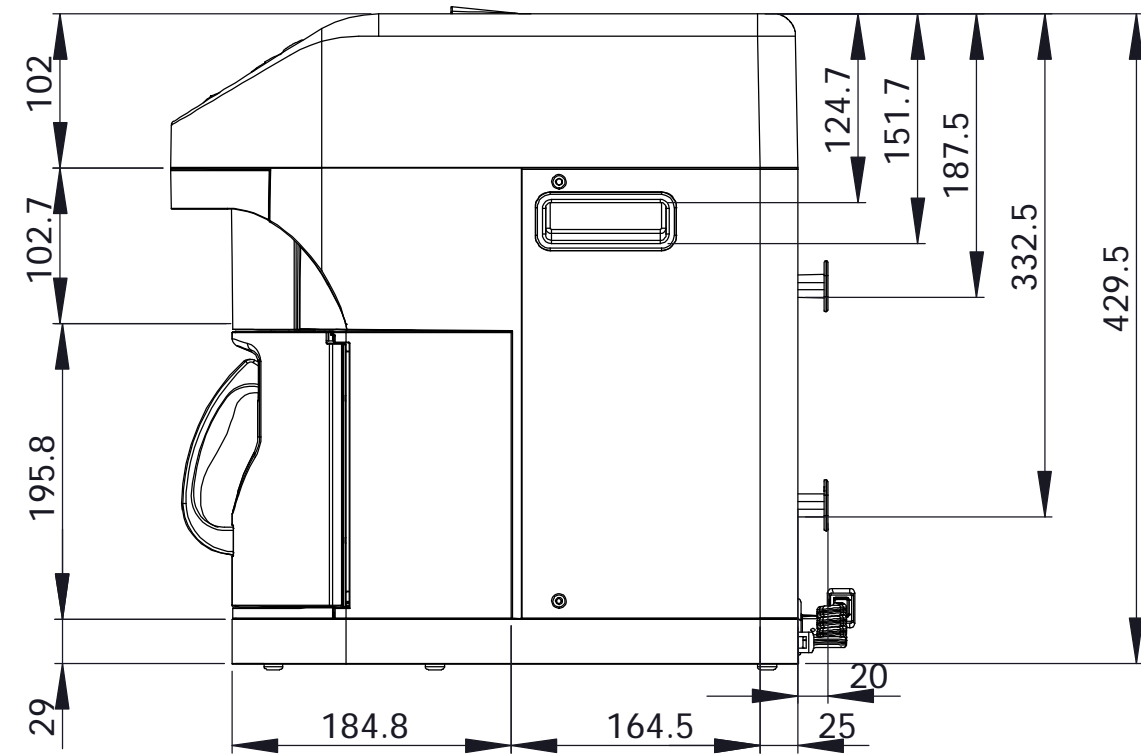
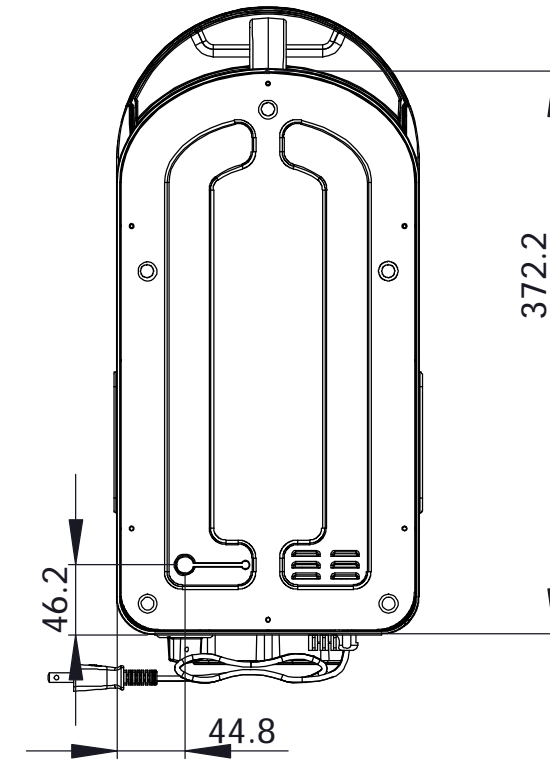
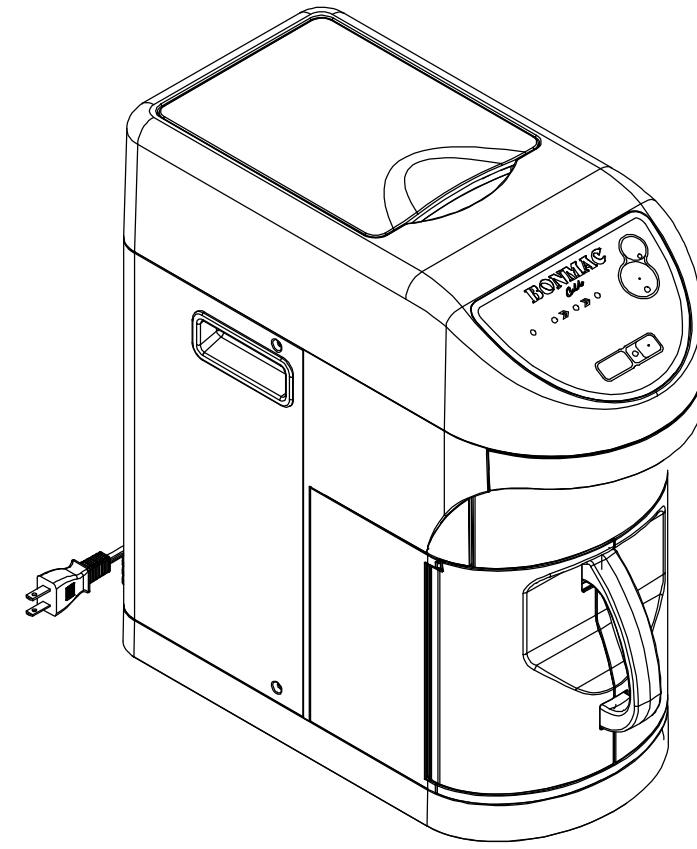
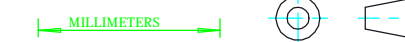


REV	DESCRIPTION	AUTH	DATE	APPR.



DIMENSIONS MAY BE IN BOTH MILLIMETERS WITH THIRD ANGLE PROJECTIONS AS FOLLOWS



MILLIMETERS

ANGULAR

1/2"

MATERIAL

FINISH

DRAW	ENGR	DATE	
CHECKED			
APPR.			
SCALE	1 / 1	SHEET	NEXT SHEET

UNI-SPLENDOR CORP		
PRODUCT NAME CK712杯快速咖啡壺		
DWG NAME 組合圖		
DWG NO	PART NO	ISSUE
MCK7011		A